



Floor Wall/Floor Ceiling Tube Stand

FWFC

DEL MEDICAL



FWFC Floor Wall/Floor Ceiling Tube Stand

The Del Medical Rotating Tube Stand offers versatility and ease of handling for general radiography. The FWFC Tube Stand is designed to facilitate the wide range of procedures common to hospitals, satellite hospitals, ambulatory care centers and group practice facilities. An affordable price and short payback period easily satisfy budget concerns.

The sturdy tubemount assembly permits precise x-ray field alignment and stability. Electric vertical and longitudinal locks, 180° column rotation and centering detent are some of the standard features that add operator convenience and rapid patient positioning.

System Features

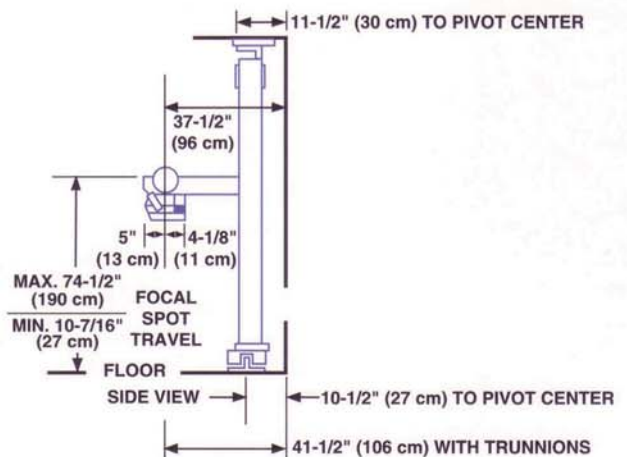
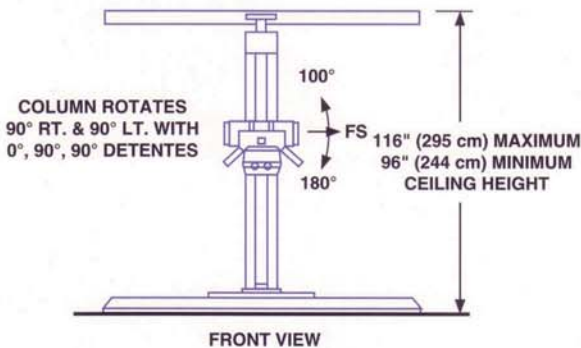
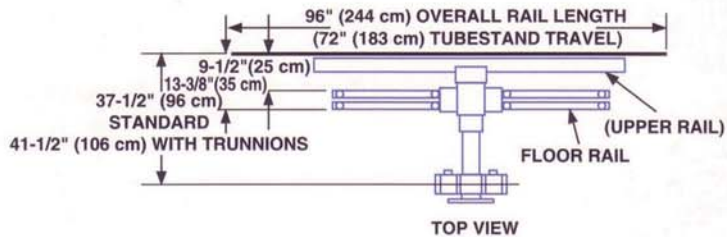
- ▲ Tubestand column rotation is pressure activated and indexed at 90° for fast, accurate cross table positioning
- ▲ Off-table capability for weight-bearing, wheelchair and stretcher studies
- ▲ Extensive tubestand vertical travel to facilitate even the most demanding weight-bearing procedure
- ▲ Electric locks provide maximum holding power and control key directional movements
- ▲ 180° of tube angulation around the horizontal axis provides precision alignment of tube to image receptor
- ▲ Convenient platform tubemount, trunnions optional
- ▲ 9" of transverse travel for total table top accessibility
- ▲ Anatomically designed handgrips for operator comfort
- ▲ Tubestand glides on precision bearing system for fast, easy longitudinal and vertical movement
- ▲ Available in floor-to-wall or floor-to-ceiling models to adapt to any room configuration

Technical Specifications

Longitudinal Travel:	96" (244 cm)
Transverse Travel:	9" (23 cm)
Vertical Travel:	Min. 12" (26.5 cm), Max. 73" (189 cm)
Longitudinal Rails:	8' standard, 12' and 6' optional

Comprehensive Equipment Warranties

Complies with all CDRH performance standards in effect at the date of manufacture.
Specifications subject to change without notice.
Made in U.S.A.
UL-Listed.



DEL MEDICAL

Toll Free: (800) 800-6006
Fax: (847) 288-7011
Email: info@delmedical.com
www.delmedical.com
241 Covington Drive, Bloomingdale, IL 60108

UMG Medical Imaging

Toll Free: (800) 261-9808
Fax: (914) 835-6111
Email: info@umgxr.com
www.umgxr.com
28 Calvert Street, Harrison, NY 10528