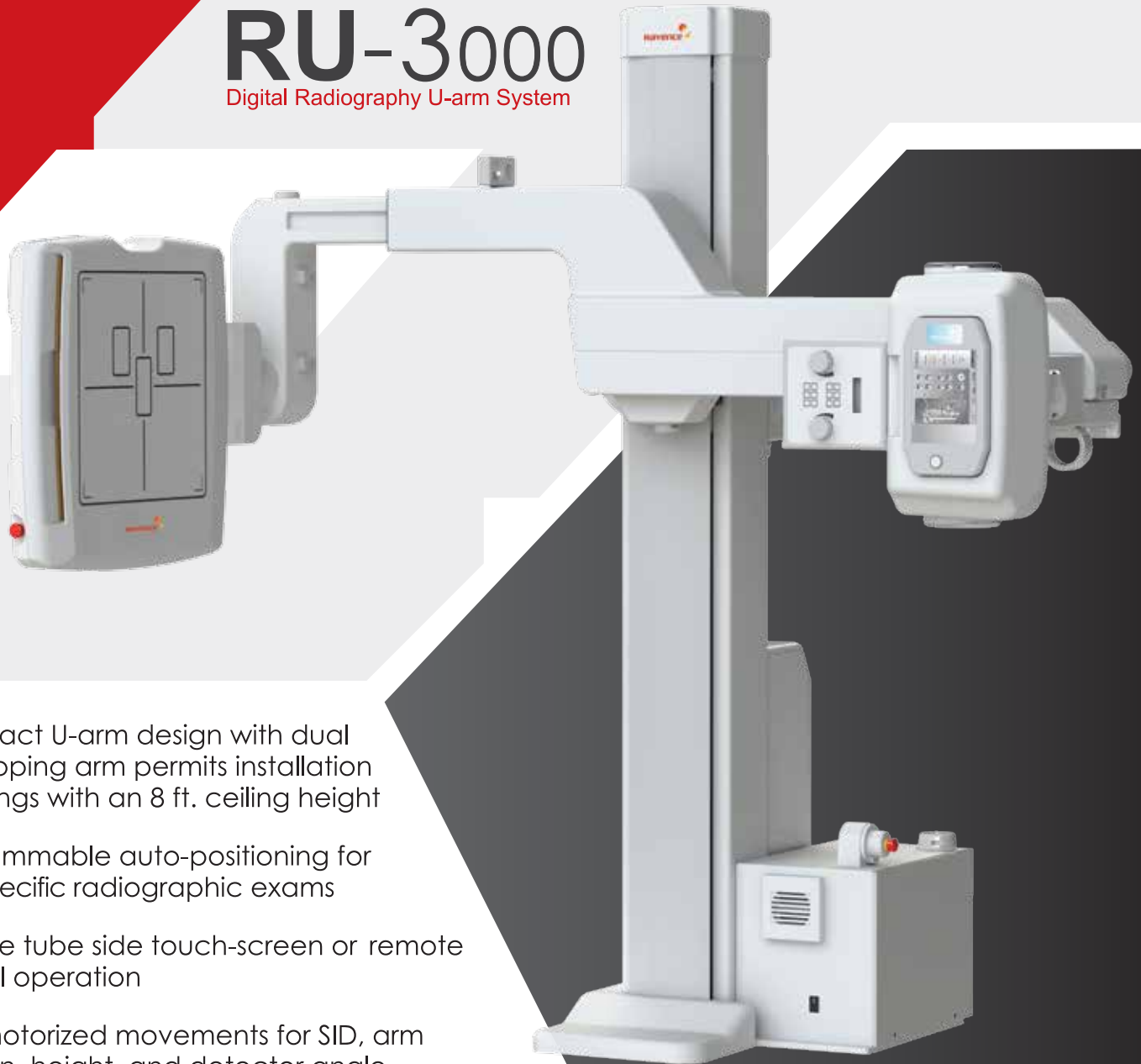


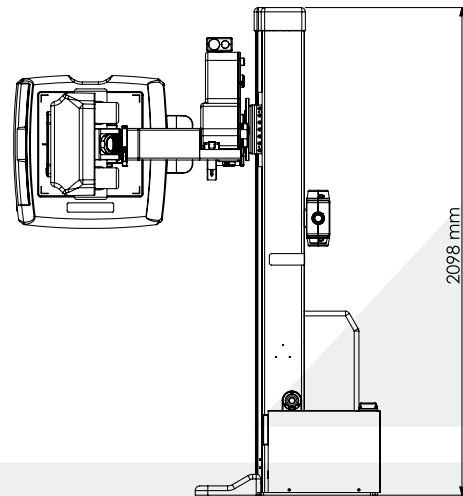
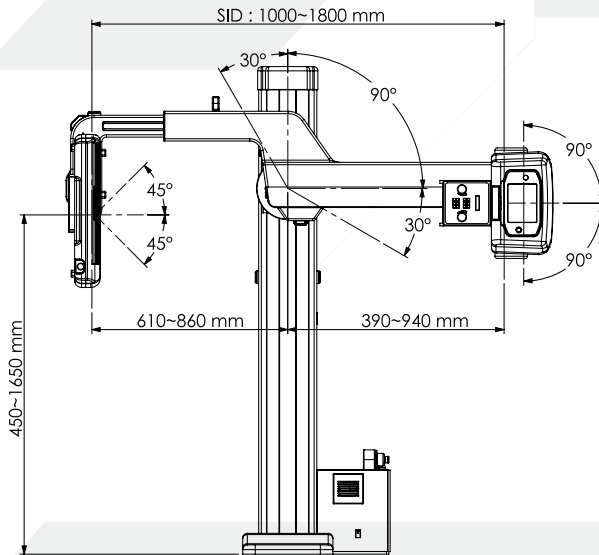
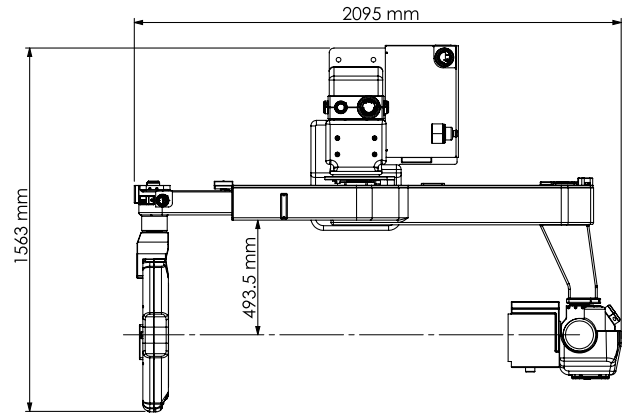
RU-3000

Digital Radiography U-arm System



- Compact U-arm design with dual telescoping arm permits installation in settings with an 8 ft. ceiling height
- Programmable auto-positioning for user-specific radiographic exams
- Intuitive tube side touch-screen or remote control operation
- Fully motorized movements for SID, arm rotation, height, and detector angle
- High quality 17x17 inch Rayence cesium detector and Rayence XmaruView workstation
- Durable bucky design with an easily removable grid
- Patient safety anti-collision sensors
- Available mobile table

RU-3000 Specifications



The RU-3000 is available with a wide variety of X-ray generators and tubes. It is intended to be used in a stationary diagnostic X-ray configuration.

Voltage: 120 V ~ 50/60 Hz +/- 10% 220-240 V ~ 50/60 Hz +/- 10%

Current: 4 amps @ 120 VAC or 2 amps @ 220-240 VAC

Frequency: 50/60 Hz, Single Phase

Incoming Power Line: 3#16 AWG

Classification: Class 1

Temperature Limits: 10°C ~ 40°C

Relative Humidity Limits: 30 ~ 70%

Atmospheric Limits: 70,0 kPa ~ 106,0 kPa

Dimensions (W x L x H): 1563 x 2098 x 2095 mm

Weight: 570 kg

Equipment not suitable for use in the presence of flammable anesthetic mixtures with air, oxygen or nitrous oxide.

**specifications are subject to change without notice*



follow us



Rayence Inc.
2200 Fletcher Ave. St. 705B Fort Lee, NJ 07024
Office: (1)201-585-0290 Fax: (1)201-585-0293
Email: information@rayenceusa.com
www.rayenceusa.com

04.15.RU3000.V1