

**Rayence**  
**XR5**  
Diagnostic Radiography

**Maximizing the  
Patient Experience**



## Configuration

SID & Angle  
**DISPLAY**

4.3" SCREEN



Multi-layer Manual  
**COLLIMATOR**

150 W HALOGEN BULB



Rotating Anode  
**TUBE**

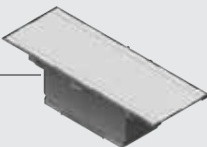
FOCAL SPOT  
0.6-1.5 mm



ANODE HEAT STORAGE CAPACITY  
200 KHU

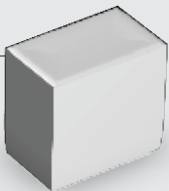
Maximum Clinical Workspace  
**PATIENT TABLE**

4 WAY TABLE  
550 LB. CAPACITY



High Frequency  
**GENERATOR**

500 mA  
40kW/1Ø/208-230 VAC  
40kW/3Ø/208-230 VAC



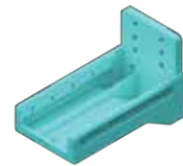
## Full-featured and Scalable

The XR5 is well suited for all X-ray exam types and imaging environments.

### 01

#### ANTI-VIBRATION TUBE HEAD ARM HOLDER

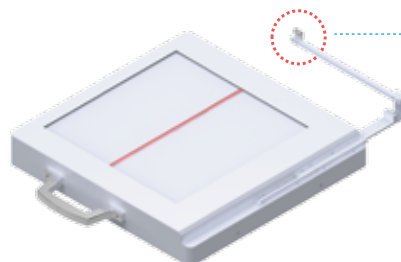
Specially designed tube head arm holder allows smooth vertical movement and dampens mechanical vibration.



### 02

#### HAND GRIP SENSOR

The hand grip sensor instantly releases the vertical and longitudinal tube stand locks for easy positioning.



### 03

#### CENTERING INDICATOR

Easy Table Bucky cabinet centering to tube column with a fixed indicator



04

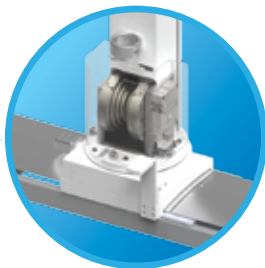
**ALUMINUM BODY FRAMES**



05

**QUALITY BEARING & GEARS**

| Effortlessly move the XR5 into any position.



06

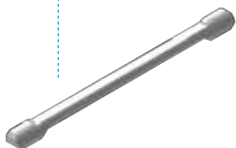
**SPRING TENSION COUNTERBALANCE SYSTEM**

The XR5 uses a specially designed spring tension counterbalance system with lead weights, making balancing simple and fast as well as environment friendly.

07

**TABLE EDGE FRAMES**

Replaceable table edge frames if damage or excess wear occurs to prevent possible injury.



**UPGRADES**



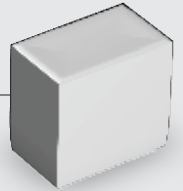
**UPGRADE PACKAGE**

Rotating Anode  
**TUBE**



FOCAL SPOT → 0.6 / 1.2 mm  
ANODE HEAT → 300 KHU

High Frequency  
**GENERATOR**



630 mA  
50 kW/3Ø/400-480 VAC  
800 mA  
65 kW/3Ø/400-480 VAC

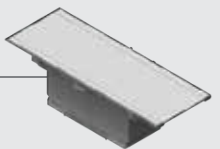
1000 mA  
80 kW/3Ø/400-480 VAC

Multilayer, Automatic  
**COLLIMATOR**



WHITE LED  
Max. 150 kVp 4 mA

Maximum Clinical Workspace  
**PATIENT TABLE**



6 WAY TABLE  
660 LB. CAPACITY  
550 LB. LIFT

**TABLE & WALL STAND**

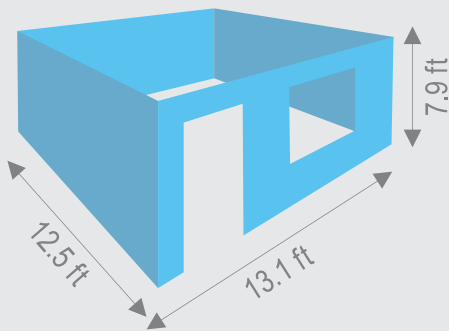
AUTO TRACKING  
AUTO EXPOSURE CONTROL

## Faster Alignment and Reduced Handling

Optional rotating detector tray quickly allows crosswise alignment in a busy clinical setting without removing the detector from the tray.

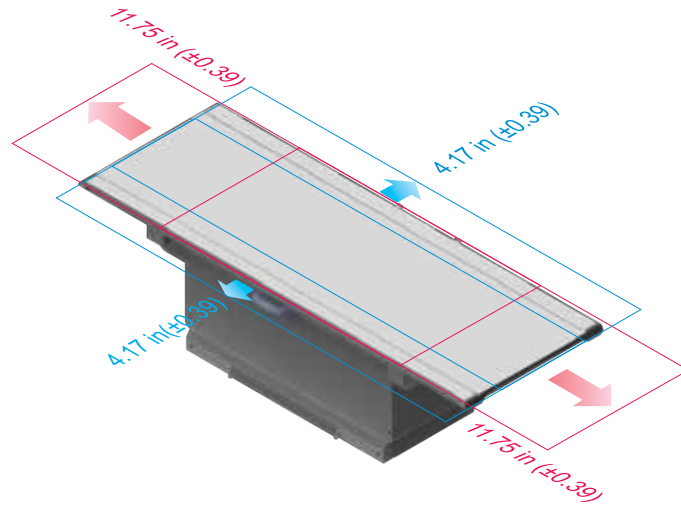
## Optimal Use of Space

Ergonomic design provides you with optimal use of space, ease of movement with superb value through the best image quality and performance.



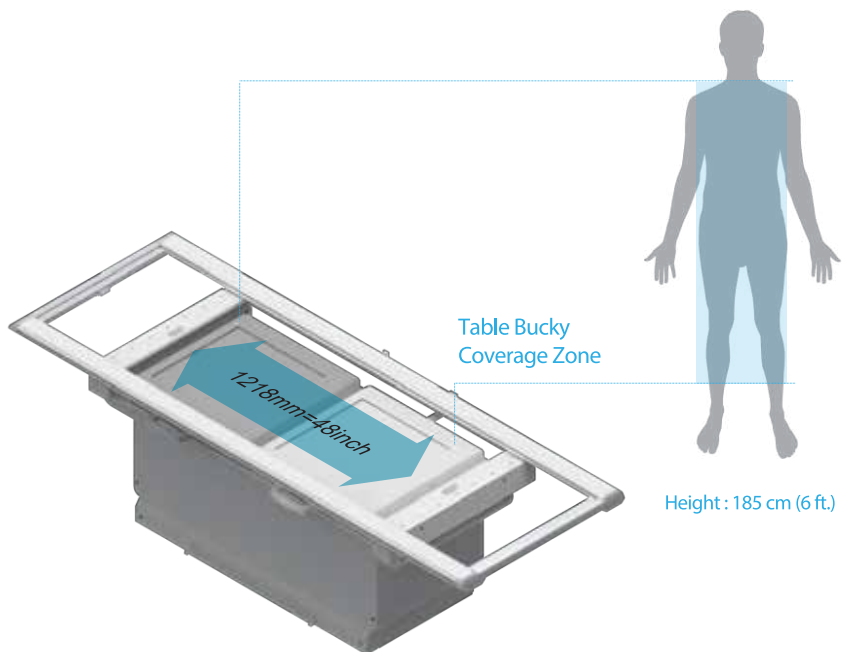
## The 4-Way Patient Table

Positioning elderly, non-ambulatory, or casted patient positioning is effortless and fast with a wide range of tabletop head-to-foot and side-to-side travel.



## Wide Range of Table Detector Cabinet Travel

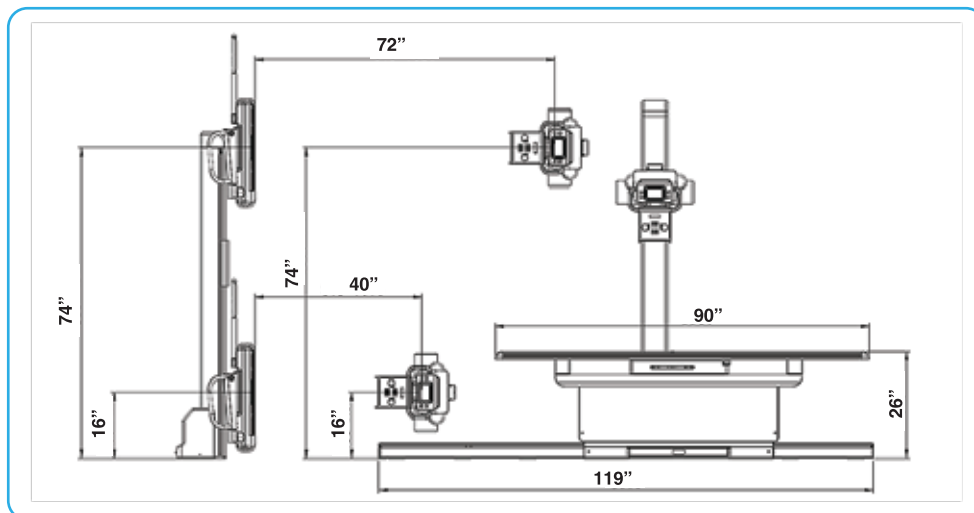
Minimal patient movement during an exam is achieved with XR5's longer table detector cabinet travel.



# Specification

CONFIGURATION	ITEMS	SPECIFICATION & DESCRIPTIONS	
<b>GENERATOR</b>	Power Output	40 kW	
	kV Range	40-125 kV	
	mA Range	10-500 mA	
	Input Phase / Voltage	1 $\Phi$ / 208-230 Vac	
	Exposure Time Range	6.3s Max.	
<b>TUBE</b>	Focal Spot Value	0.6 - 1.5 mm	
	Target Angle	16°	
	Target Diameter	2.9 in	
	Anode Heat Content	200 kHU	
	Cooling Method	Natural / Forced Air	
<b>COLLIMATOR</b>	Type	Manual	
	Power Output	DC 24V	
	Projection Lamp	150W Halogen Lamp	
	Lamp Timer	Push Button, 30 seconds	
	Rotation Angle	-10° ~ 180°	
	APR Memory	No	
	Laser Guide	No	
	Max. Window	18.9 x 18.9 in (SID 40 in)	
	Min. Window	2 x 2 in (SID 40 in)	
	<b>FLOOR MOUNTED TUBE STAND</b>	Power Required	24V, 3A
		Tube Stand	76.3 in
SID Range		40 in ~ 72 in	
Vertical Travel		58 in	
Longitudinal Travel		100 in	
Tube Rotation Range		-135° ~ +135°	
Tube Arm IN / OUT		4.7 in	
<b>4 WAY TABLE</b>	Dimensions	90 in (l) x 32 in (w) x 26 in (h)	
	Forward-Backward Movement	$\pm$ 4.2 in	
	Left-Right Movement	$\pm$ 11.2 in	
	Table Cabinet Movement	$\pm$ 13.6 in ( $\pm$ 0.39)	
	Load Capacity	550 lbs.	
<b>6 WAY TABLE</b>	Load Capacity	660 lbs.	
	Max lift capacity	550 lbs.	

The manufacturer reserves the right to change specifications and features without notice.





Powered by OSKO



**Rayence Inc.**  
2200 Fletcher Ave. St. 705B Fort Lee, NJ 07024  
**Office:** (1)201-585-0290 **Fax:** (1)201-585-0293  
**Email:** [information@rayenceusa.com](mailto:information@rayenceusa.com)  
[www.rayenceusa.com](http://www.rayenceusa.com)

**OSKO, Inc.**  
8085 NW 90th St Medley, FL 33166 U.S.A.  
**Office:** (1)305-599-7161 **Fax:** (1)305-599-7144  
**E-mail:** [info@oskomedical.com](mailto:info@oskomedical.com)  
[www.oskomedical.com](http://www.oskomedical.com)

