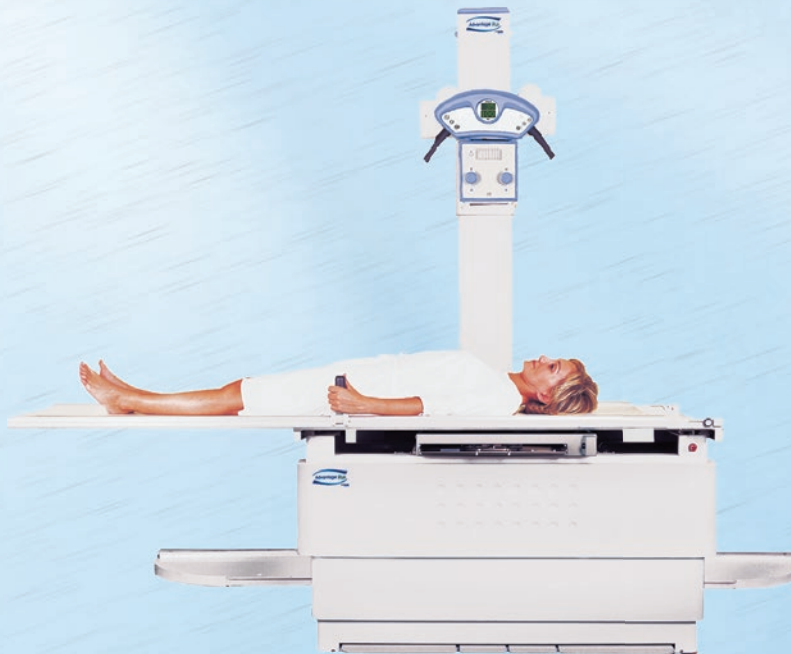




ML1 – FMT Radiographic Suite



A High Quality Radiographic Suite for Hospital, Clinic or Private Practice

The **AdvantagePlus** ML1 radiographic suite is configured with a rugged rotational floor mount tube stand, elevating table and wall stand that will withstand any patient load. The elevating table will accommodate a 750 lb. patient offering ease of patient boarding and positioning. The full featured ML1 delivers extensive coverage for wheelchair patients, chest, leg, weight bearing and table exams. Designed for complete flexibility; single or dual digital panel solution or film/CR system upgradeable to digital in the future as budget permits.

Lateral Exams

The tube stand can easily be moved and rotated to quickly and accurately position for lateral exposures

Extensive Vertical Travel

Smooth vertical movement allows lowering to 15.75" (40cm) source to floor distance



Shown with optional hospital-grade wall stand

Generators Accommodate Available Incoming Power And Budget

ML1 system can be paired with the industry's widest selection of generators ranging from an output of 32 kW to a powerful 80 kW. Our SHF series of generators can be operated on single phase incoming power delivering up to 50 kW output. Our digital systems incorporate generator integration with the acquisition monitor, allowing selection of anatomical view, patient size and fine tuning techniques at the acquisition monitor.

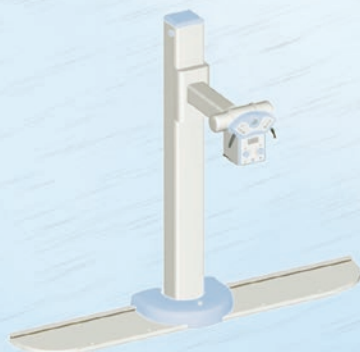
TXR • 5481 Skyland Blvd., E • Cottondale, AL 35453

Phone: 205-556-3803 • Fax: 205-556-3824 • 800-897-9729 • www.txr.com • sales@txr.com

Complies with FDA and Product Safety Requirements. • Specifications Subject to Change Without Notice



ML1 – FMT Radiographic Suite



MILL-FMTSAD Floor Mount Rotate Tube Stand with Digital Readouts

- Longitudinal Tube Travel 78.74" (200 cm)
- Transverse Tube Travel 11.81" (30 cm)
- Focal Spot to Floor Travel Variable from 15.75 to 79.53" (40 to 202 cm)
- Tube Stand Column Rotation $\pm 180^\circ$
- Electromagnetic Locks
- Digital Readout of SID and Tube Angulation
- Standard 108.5" (269 cm) Floor Track Provides 78.74" (200 cm) Travel



13-BF7-GC/S109 Wall Stand

- Floor Wall Mount
- Electromagnetic Positive Locks
- Vertical Travel 9.75" to 72.75" (50 to 185 cm)
- Grid Cabinet, 103 Line, 10:1 Ratio Grid and Cassette Tray or Cabinet for Digital Detector



MIL-EL-B Elevating Table

- 750 Lb. Patient Load
- 86.5" x 31.5" (217 x 80 cm) Float Top Table
- 43.3" (119 cm) Longitudinal, 9.5" (24 cm) Lateral Table Top Travel
- 19.69" (50 cm) Minimum Height, 35.43" (90 cm) Maximum Height
- Super Speed Bucky, 103 Line, 10:1 Ratio Grid and Cassette Tray or Cabinet For Digital Detector

Options:

- Fixed Height Float Top Table
- Various Grids
- Various DR panels
- 147.8" (380 cm) Floor Rail, Provides 118" (300 cm) Travel
- Super Speed Bucky, Replaces Grid Cabinet
- Hand Grips for Table
- Hospital Grade Wall Stand with Bucky
- Overhead Patient Hand Support for Hospital Grade Wall Stand
- Side Mounted Patient Hand Grips for Hospital Grade Wall Stand

TXR • 5481 Skyland Blvd., E • Cottondale, AL 35453

Phone: 205-556-3803 • Fax: 205-556-3824 • 800-897-9729 • www.txr.com • sales@txr.com

Complies with FDA and Product Safety Requirements. • Specifications Subject to Change Without Notice

0716-ML1